



NETIX.AI



DATA SHEET

NXT600 SERIES INDOOR AIR QUALITY SENSOR

Product Description

The **NCT600 Series** is 3.5 inch color Touch Screen Smart Air Quality unit is designed to monitor and control you indoor Air Quality level and help you to live healthy life.

It's support open standard Modbus TCP, Modbus RTU and MQTT protocol that helps integrate with any BMS and Cloud platform.

The Optional Relay unit help to control Exhaust or Fresh air Fan to improve your air quality. NCT600 device will also available with Formaldehyde CH₂O.

Key Features

- USB power supply, DC5V;
- 230V version is coming soon
- Wi-Fi connective (2.4G)
- LoRaWAN (Option)
- BACnet MS/TP ,IP (Option)
- Modbus RTU/TCP (Option)
- USB data export(.txt)
- 3.5" TFT color display, 480*320 resolution
- Capacitive touch
- NDIR CO2 sensor,15 years life time
- External CO/RH/Temp sensor(Option)
- With CO2, Temp, Humidity calibration
- Data record interval time-1,5,15,30,60 mins
- History data qty -7000 records
- 7 days CO2 history data diagram
- 7 days temperature history data diagram
- 7 days humidity history data diagram
- With humidity sensor (+/-3%)
- With ambient light sensor
- CO2 high, low alert message reminder and buzzer
- Auto ON/OFF via ambient light
- C/F temperature display
- Children touch-lock
- Auto change daylight savings (DST)
- Multi language(Option)
- Night light option(Auto On/Off with ambient sensor)
- Auto backlight dim with ambient light sensor

Product Description



1.WIFI	7. VOC
2. Time	8. Humidity
3. Configure settings	9. History data
4. IAQ	10 History data in hour display
5. Air pressure	11. History data in day display
6. PM2.5	12. Room temperature 13. CO ₂

For further information

NETIX. Global B.V.
Beechavenue 115, 1119RB
Schiphol-Rijk,
Tel: +31 68 543 6139

DATA SHEET

NXT600 SERIES INDOOR AIR QUALITY SENSOR

Technical Information

Power Supply	USB Supply, DC5V; 110-230VAC(Optional), 24VAC(Option);
Display	320x480 pixels color TFT Capacitive touch
LoRaWAN	868mHz/923mHz/915mHz
WiFi	IEEE 802.11 b/g/n - 2.4ghz
BACnet	MSTP / IP
Modbus	RTU / TCP
Security	WPA/WPA2
Operating temperature	1° C- 85° C
Sensors	CO2: 0-5000 ppm (±30ppm + 3%MV) Temperature:-10°C – 70°C,±(0.5 C 25 C) Humidity: 0 – 100%, ±3 % VOC: 0-60.000 ppb Particulate Matter (PM1.5, PM2.5, PM4, PM10): 4 KB0-100 µg/m3 (±10 µg/m3), 100 – 1.000 (±10 %) Pressure: 50 to 115 kPa, ±1 kPa accuracy
Optional Sensor	Formaldehyde CH2O
Optional control	1 x 5A, 230V, Relay for Fan
Communication	Wi-Fi, MQTT, Modbus TCP LoRaWAN(Optional) BACnet MS/TP ,IP(Optional) Modbus RTU/TCP(Optional)
NDIR life time	15 Years
Standby power consumption	≤0.5 W
Display dimensions	76.5 X 52 mm(W/H)
Dimensions (W/H/D)	96 * 86 * 32.5 (mm)
Weight	≤200 g
Enclosure rating	IP 21
Product material	PC + ABS plastic

Installation

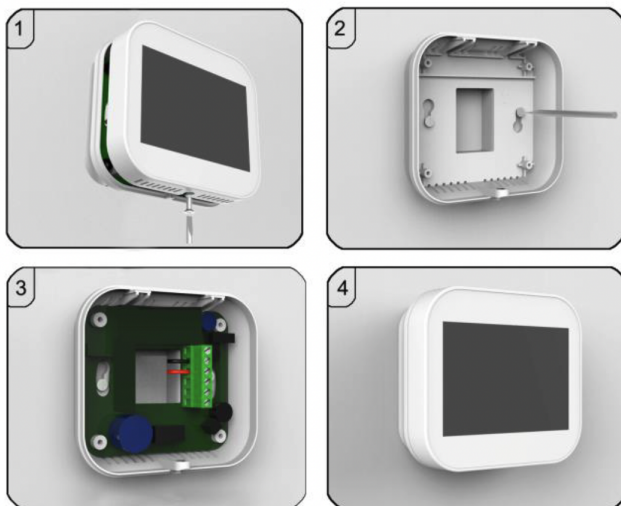
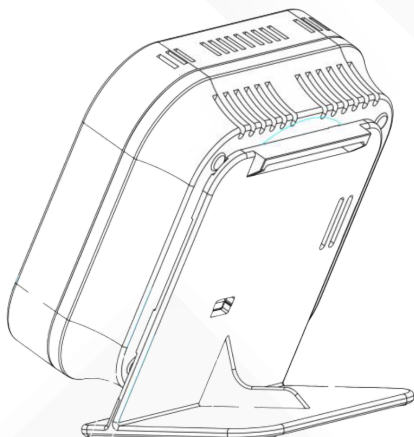


Table Top model



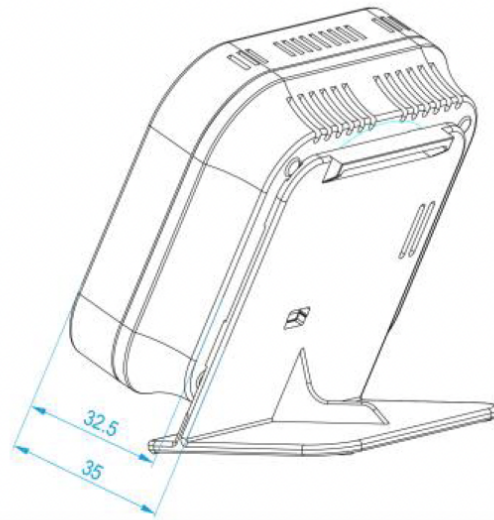
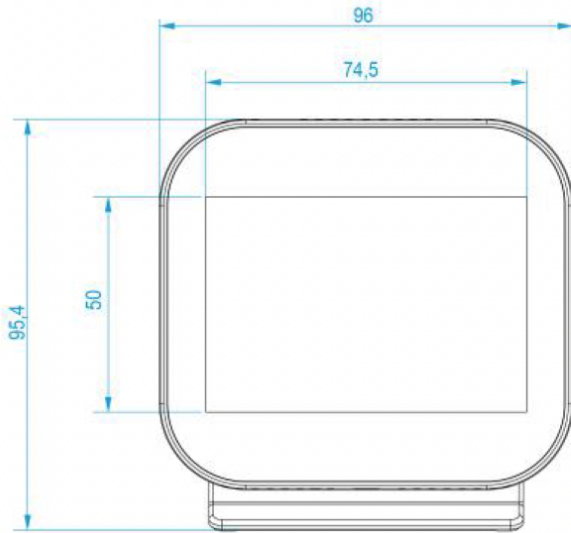
For further information

NETIX. Global B.V.
Beechavenue 115, 1119RB
Schiphol-Rijk,
Tel: +31 68 543 6139

DATA SHEET

NXT600 SERIES INDOOR AIR QUALITY SENSOR

Dimensions



Product Variant

Model/ Series	NXT600
NXT600-s1-W	CO ₂ , Temperature, Humidity, VOC, Particulate Matter, Pressure, 5VDC, wall mount, Wi-Fi, Modbus TCP, and MQTT
NXT600-s1-F-W	CO ₂ , Temperature, Humidity, VOC, Particulate Matter, Pressure, Formaldehyde CH ₂ O, 5VDC+Battery, wall mount, Wi-Fi, Modbus TCP, and MQTT
NXT600-s2-W	CO ₂ , Temperature, Humidity, VOC, Particulate Matter, Pressure, 5VDC, wall mount, Wi-Fi, Modbus TCP, and MQTT
NXT600-s2-F-W	CO ₂ , Temperature, Humidity, VOC, Particulate Matter, Pressure, Formaldehyde CH ₂ O, 5VDC+Battery, wall mount, Wi-Fi, Modbus TCP, and MQTT
NXT600-s3-W*	CO ₂ , Temperature, Humidity, VOC, Particulate Matter, Pressure, 24VDC, wall mount, Wi-Fi, Modbus TCP, and MQTT
NXT600-s3-W-R*	CO ₂ , Temperature, Humidity, VOC, Particulate Matter, Pressure, 24VDC, 1x relay, wall mount, Wi-Fi, Modbus TCP, and MQTT

For further information

NETIX. Global B.V.
Beechavenue 115, 1119RB
Schiphol-Rijk,
Tel: +31 68 543 6139